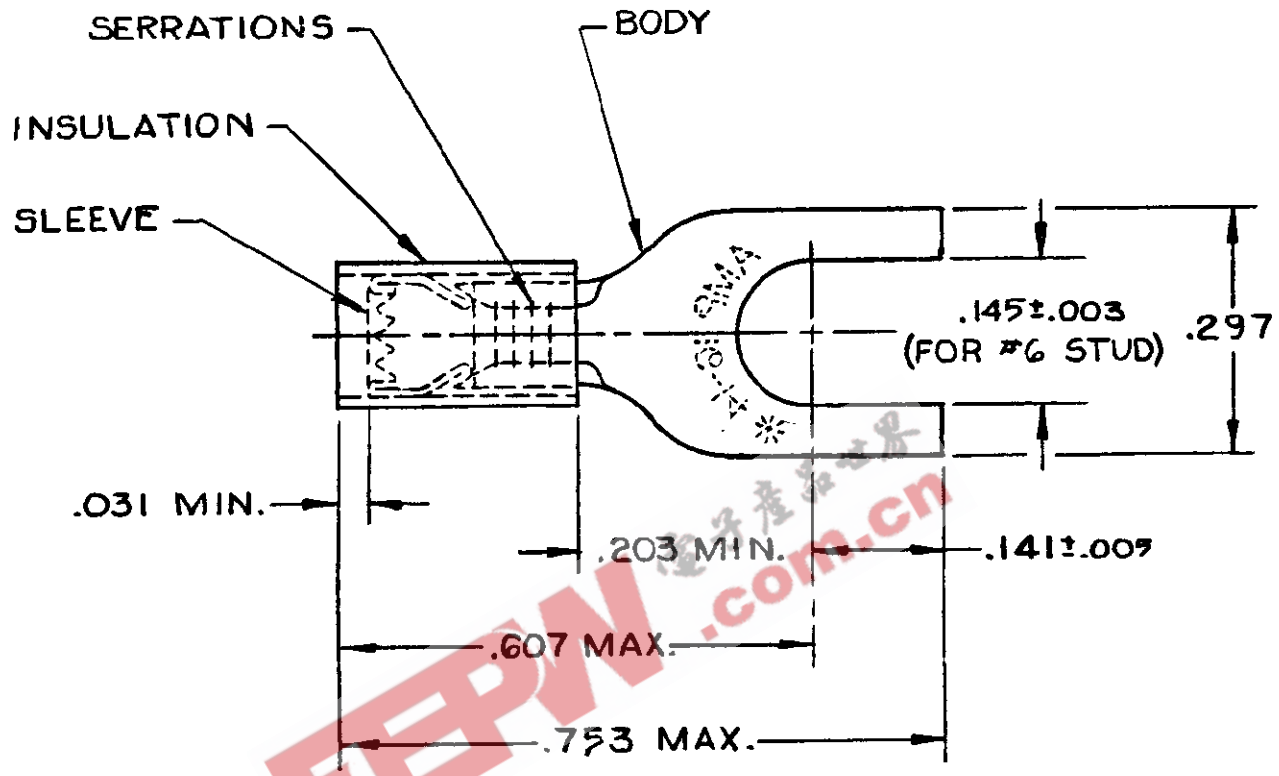


THIS DRAWING IS UNPUBLISHED. RELEASED FOR PUBLICATION , 19  
© COPYRIGHT 19 BY AMP INCORPORATED, HARRISBURG, PA. ALL INTERNATIONAL RIGHTS RESERVED. AMP PRODUCTS MAY BE COVERED BY U.S. AND FOREIGN PATENTS AND/OR PATENTS PENDING.



- 1 WIRE INSULATION DIA. = .115-.170
- 2 TONGUE MATERIAL THK. =  $.031 \pm .002$
- 3 TIN PLATE (MIL-T-10727) .000100 MIN THK.