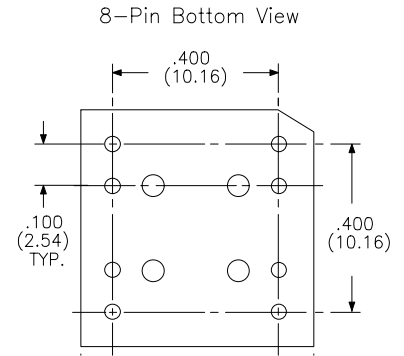
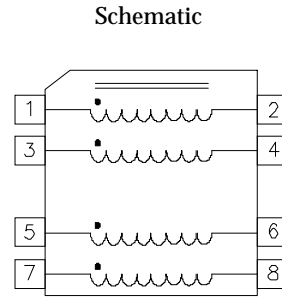


Common Mode Chokes for Telecom Applications

Designed for 4-Wire Links ISDN S / T1
For EMI Reduction - Filters Common Mode Noise
500 V_{RMS} Minimum Isolation Between Windings
Frequencies 100 kHz to 200MHz



Low Frequency Chokes

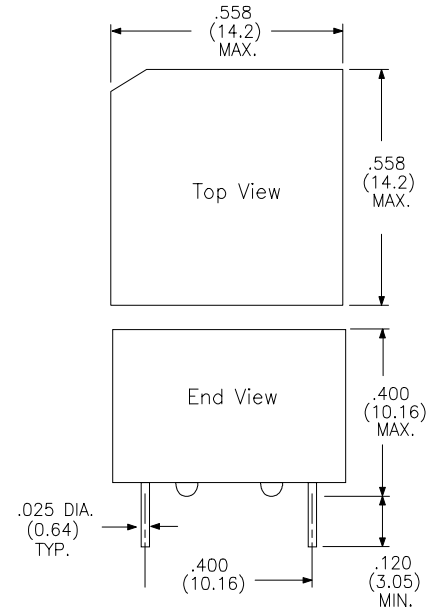
Electrical Specifications at 25°C

| LF Choke Part Number | OCL min. (mH) | L _{sec} max. (μH) | C _{www} max. (pF) | DCR max. (Ω) | Z _{oc} min. (kΩ) 150 kHz | Z _{oc} min. (kΩ) 300 kHz | Z _{oc} min. (kΩ) 500 kHz | Z _{oc} min. (kΩ) 1MHz |
|----------------------|---------------|----------------------------|----------------------------|--------------|-----------------------------------|-----------------------------------|-----------------------------------|--------------------------------|
| F-1400 | 6.0 | 35.0 | 22 | 1.4 | 5.5 | 8.0 | 8.0 | 9.0 |
| F-1401 | 4.0 | 30.0 | 10 | 0.7 | 3.3 | 6.0 | 8.0 | 11.0 |
| F-1402 | 4.0 | 0.7 | 40 | 0.7 | 3.3 | 6.0 | 8.0 | 11.0 |
| F-1403 | 1.0 | 10.0 | 10 | 0.7 | 0.9 | 1.6 | 2.3 | 3.3 |

High Frequency Chokes

Electrical Specifications at 25°C

| HF Choke Part Number | OCL min. (μH) | L _{sec} max. (μH) | C _{www} max. (pF) | DCR max. (Ω) | Z _{oc} min. (kΩ) 10 MHz | Z _{oc} min. (kΩ) 30 MHz | Z _{oc} min. (kΩ) 70MHz | Z _{oc} min. (kΩ) 100MHz |
|----------------------|---------------|----------------------------|----------------------------|--------------|----------------------------------|----------------------------------|---------------------------------|----------------------------------|
| F-1600 | 24.0 | 0.20 | 15 | 0.30 | 0.9 | 1.60 | 1.15 | 0.80 |
| F-1601 | 16.0 | 0.20 | 12 | 0.30 | 0.7 | 1.35 | 1.05 | 0.65 |
| F-1602 | 8.0 | 0.20 | 10 | 0.25 | 0.55 | 1.10 | 1.00 | 0.52 |



LAN Chokes

Electrical Specifications at 25°C

| Part Number | Turns Ratio | OCL min. (μH) | L _{sec} max. (μH) | C _{www} max. (pF) | DCR max. (Ω) | HI-POT min. (V _{RMS}) | Package Style |
|-------------|-------------|---------------|----------------------------|----------------------------|--------------|---------------------------------|---------------|
| F-1351 | 1:1:1:1 | 18 | .3 | 65 | 25 | 500 | 8 Pin |
| F-1352 | 1:1:1:1 | 36 | .3 | 200 | 25 | 500 | 8 Pin |

F-135X Schematic

